

375 HE

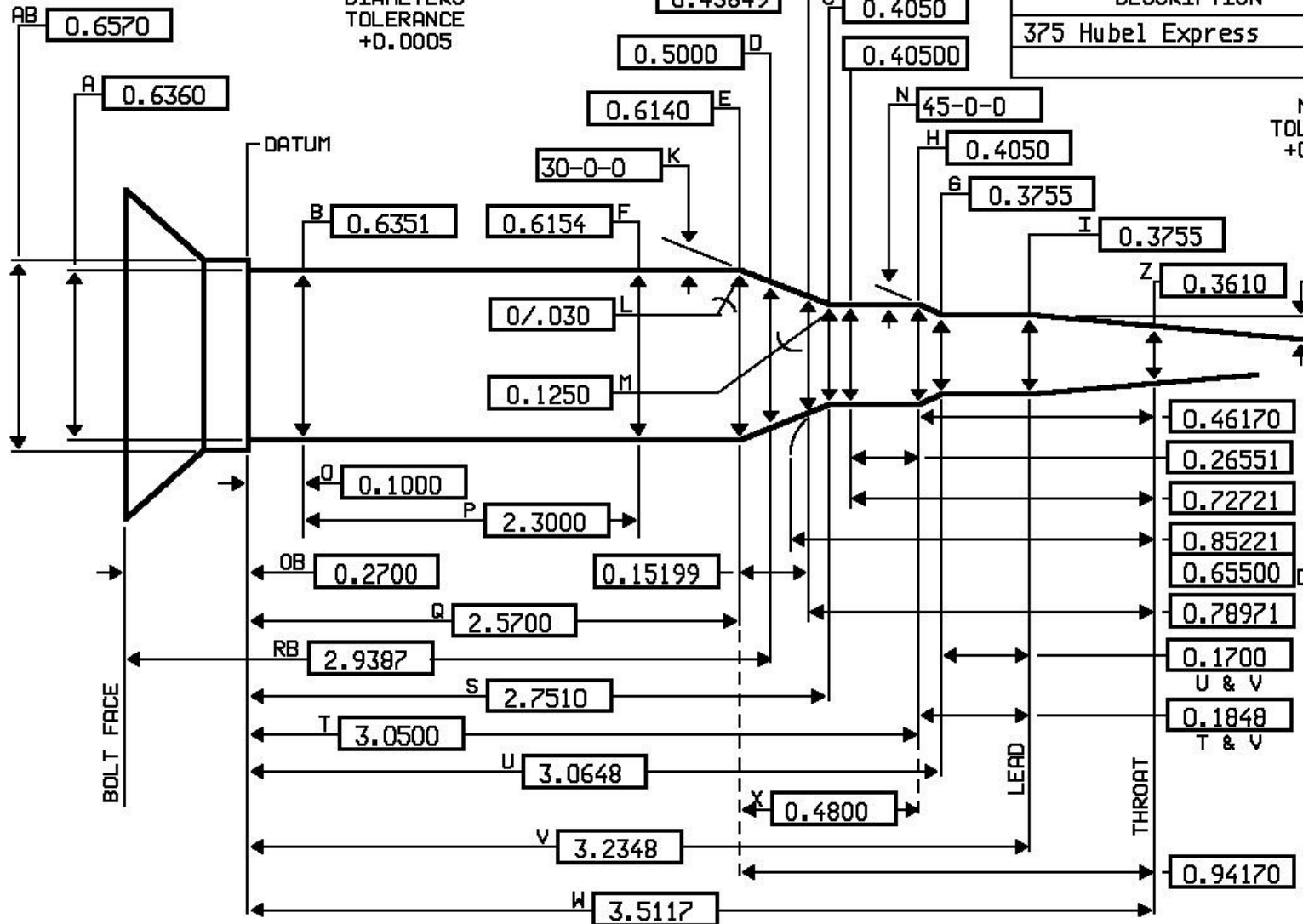
BODY DIAMETERS TOLERANCE +0.0005

REVISIONS

DESCRIPTION	DATE	APPROVED
375 Hubel Express	01/20/17	CP

N & T TOLERANCE +0.0005

ANGLE TOLERANCE ±15 MIN.



SHANK LENGTH	1.7500
PILOT LENGTH	0.0000
OAL BLANK	6.0000
PILOT SIZE	0.3656
CALIBER	375
DIA BORE SIZE	0.3660
GROOVE SIZE	0.3750
BASIC BRASS	585 HE
RESIZE N.D.	
MARGIN	
TPI 1in 20 INCHES	
BODY TPI	0.08560
NECK TPI	0.00000
THROAT TPI	0.52372

DESIGNER
NAME Ed Hubel
PHONE () _____

LENGTHS TOLERANCE +0.0050

JGS
COOS BAY, OR USA
97420

SIZE **A** DWN. DATE 01/21/17

RIMMED & BELTED RIFLE MINIMUM CHAMBER

SCALE NONE PRINT # 375 HE

COMMENT: This design will require special headspace gauges.